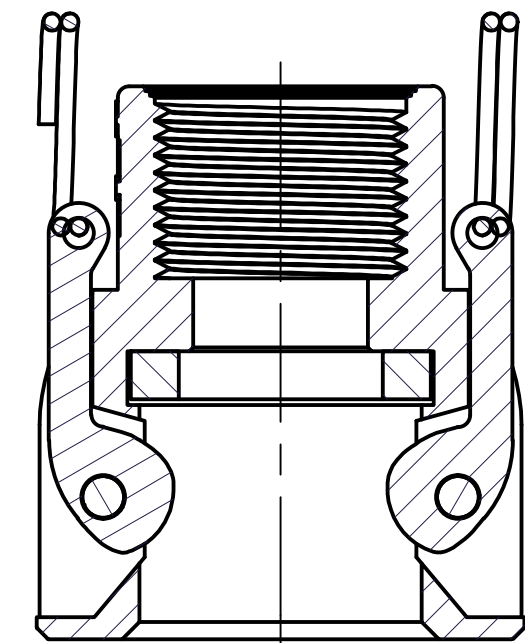
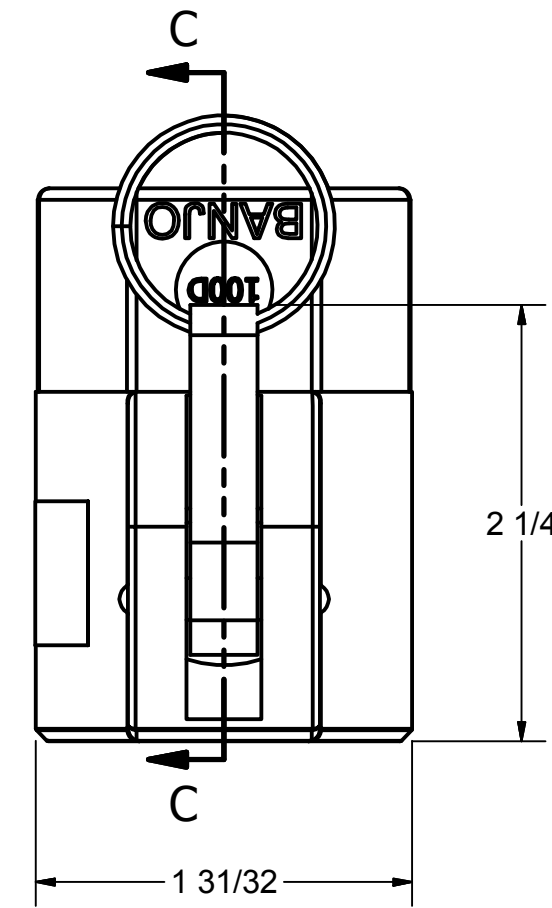
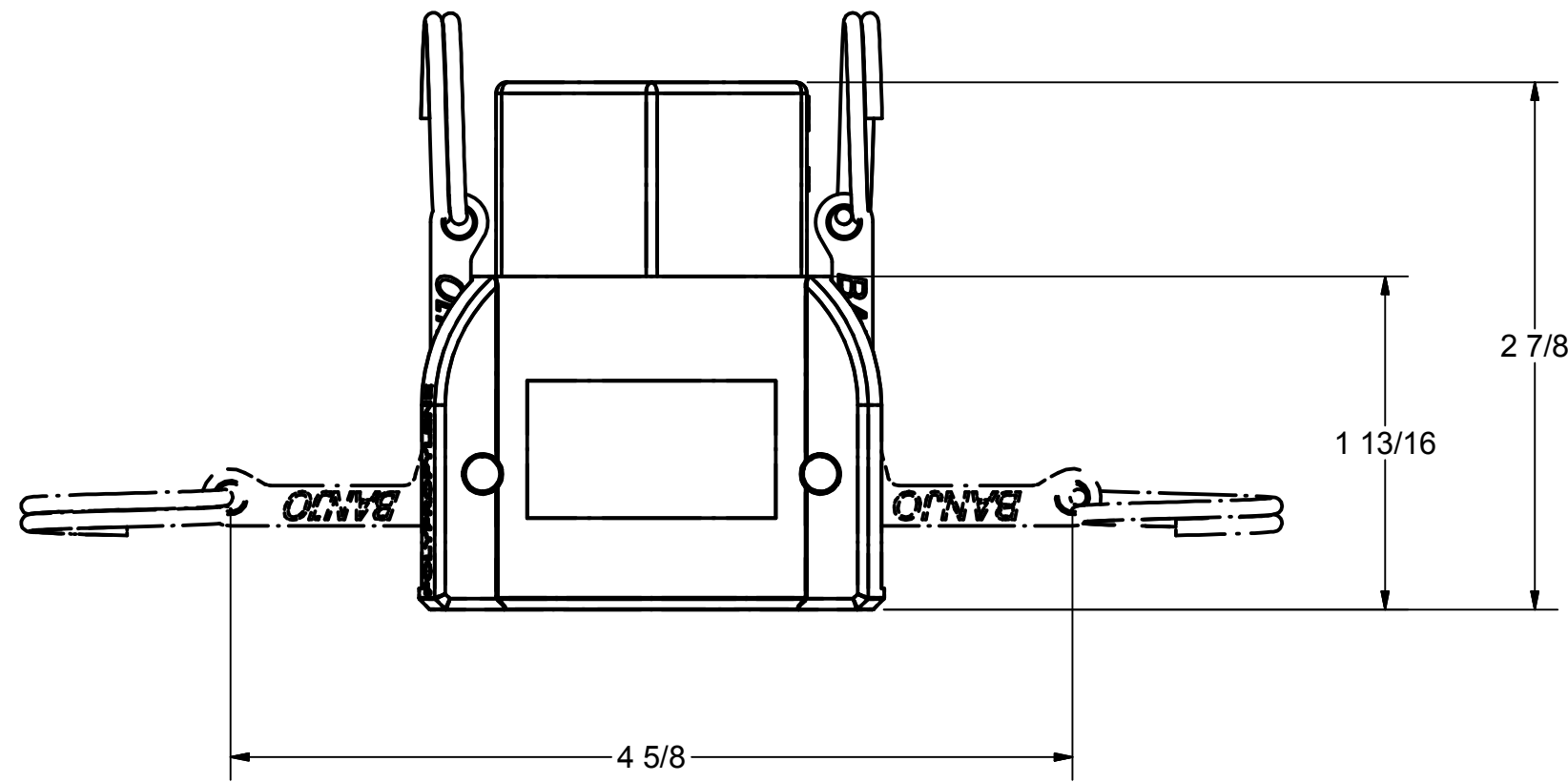
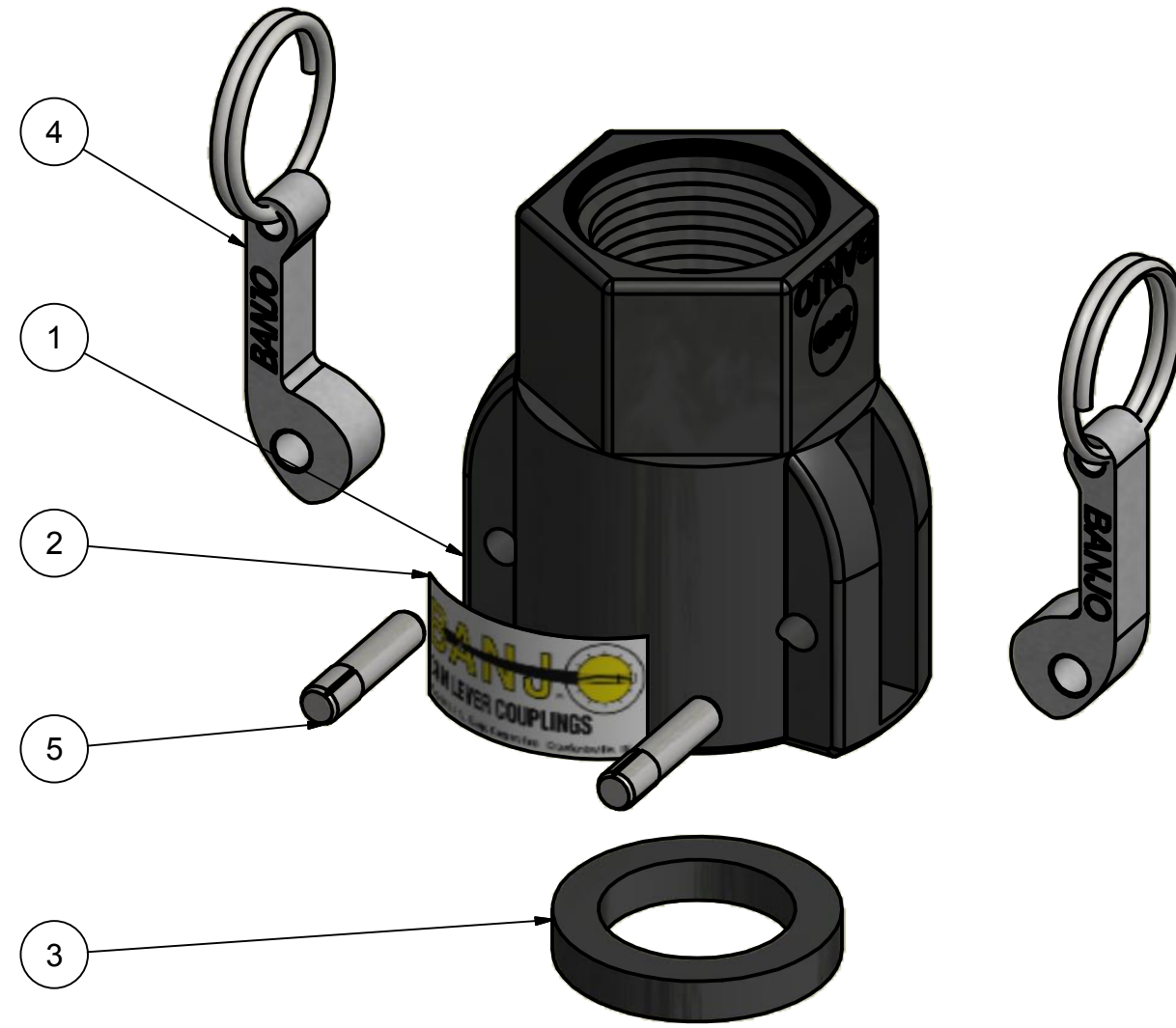


Parts List				
ITEM	QTY	PART NUMBER	DESCRIPTION	
1	1	100DBPXM	1" Female Coupler X 1" BSPP Female Thd, Machined	
2	1	100DECAL	Mini Coupling Decal	
3	1	100G	1" & 1 1/4" COUPLING GASKET	
4	2	100K	1" CAM ARM W/ RING	
5	2	100P	PIN	



SECTION C-C
SCALE 1 : 1

THIS DRAWING AND ALL INFORMATION CONTAINED THEREON ARE THE EXCLUSIVE PROPERTY OF BANJO CORPORATION.

UNLESS SPECIFICALLY NOTED, THIS DRAWING AND ITEMS SHOWN ON THIS DRAWING ARE SUBJECT TO CHANGE AT ANY TIME.

BANJO CORPORATION
150 BANJO DRIVE, CRAWFORDSVILLE, IN 47933
WEB SITE: WWW.BANJOCORP.COM
E-MAIL: BANJOSALES@IDEXCORP.COM

DESCRIPTION
1" Female Coupler X 1" BSPP Female Thd

PART NUMBER
100DBP