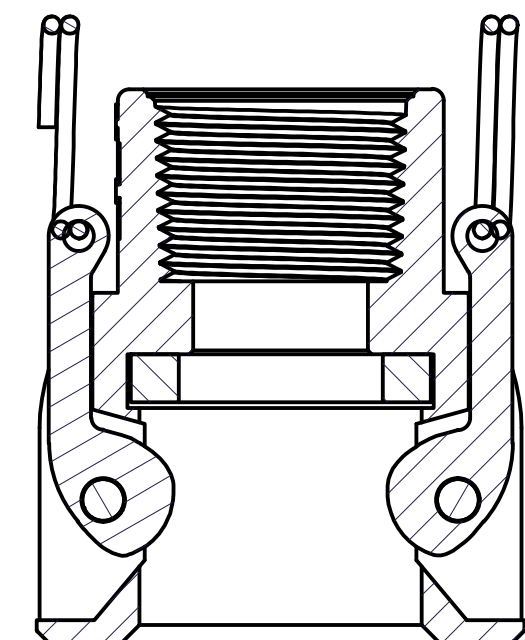
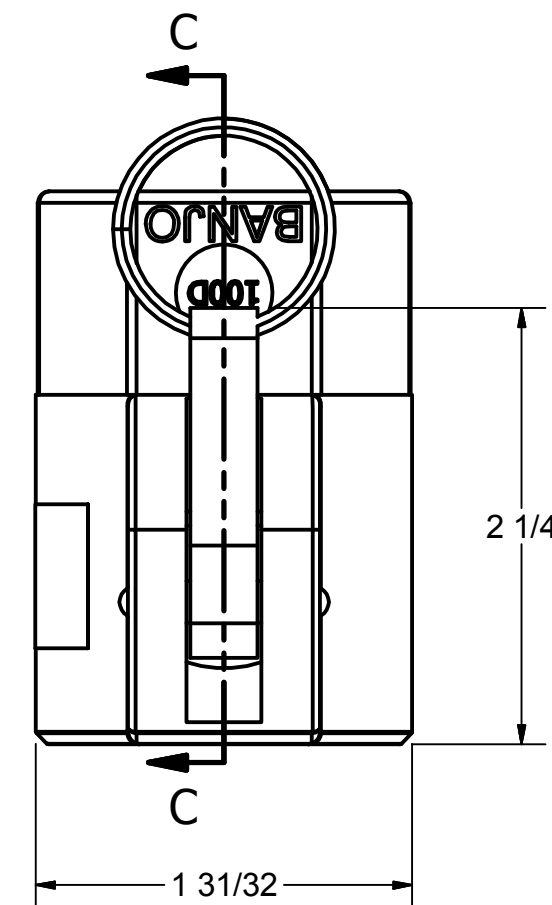
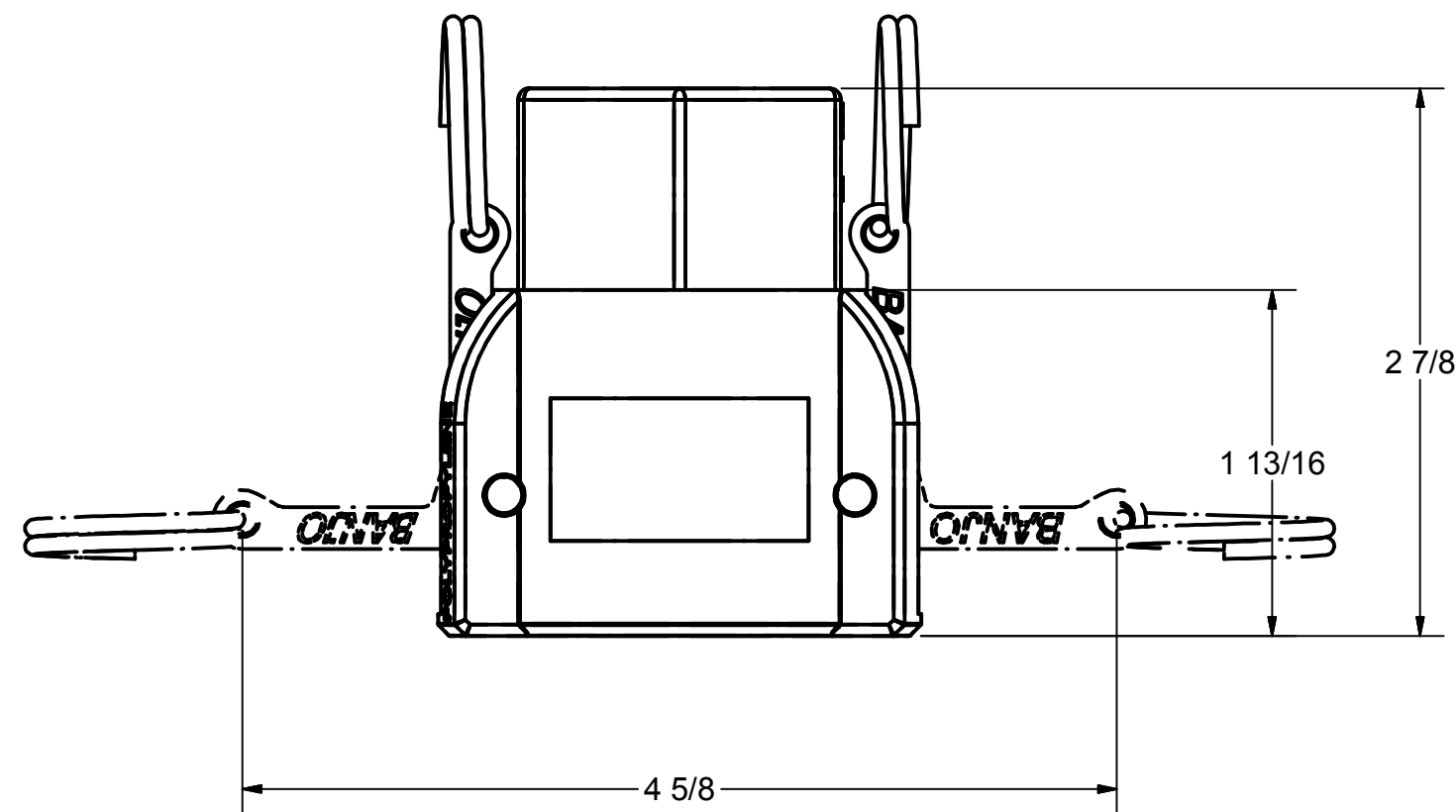
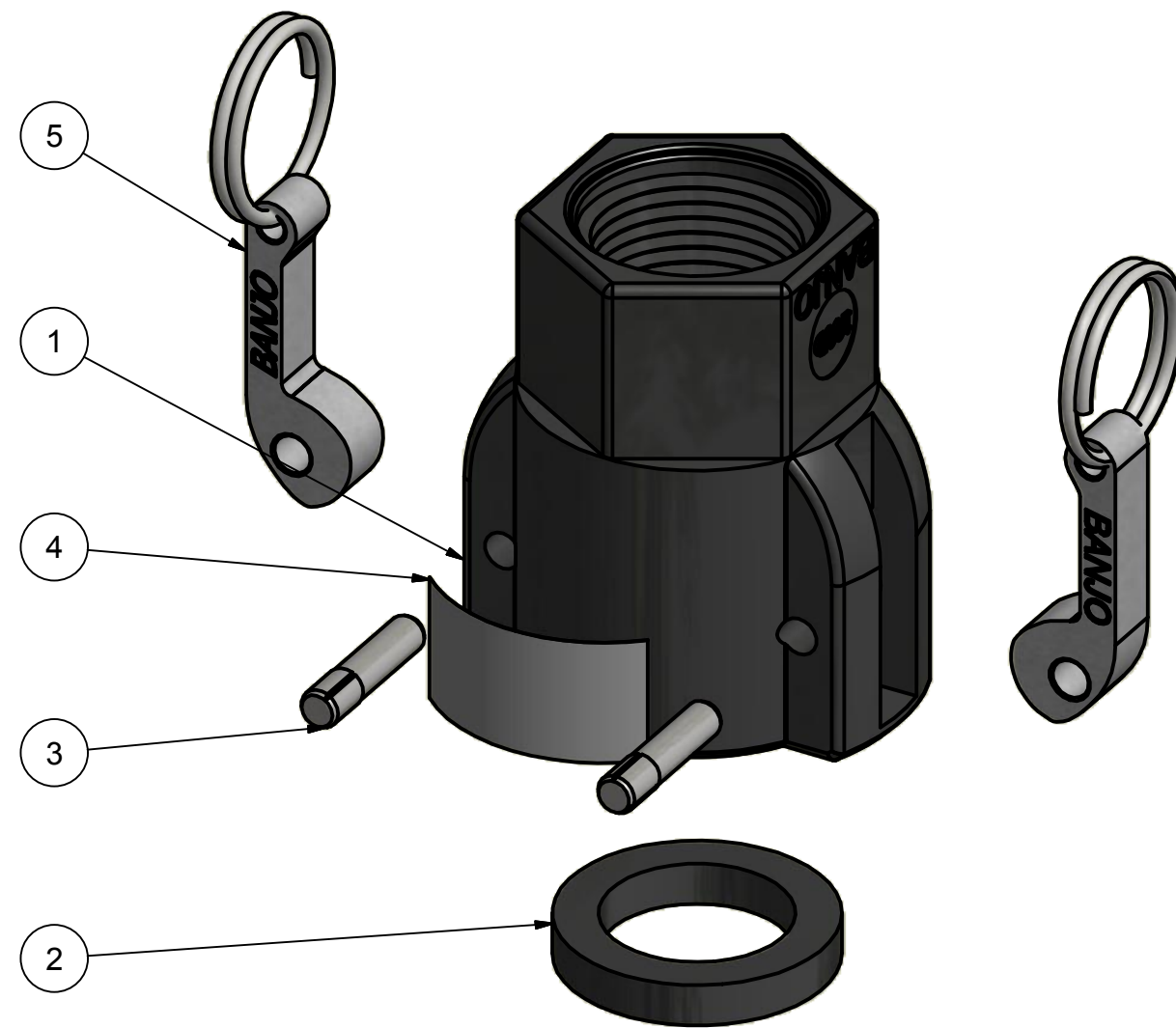


Parts List				
ITEM	QTY	PART NUMBER	DESCRIPTION	
1	1	100DBXM	1" Female Coupler X 1" BSPT Female Thd, Machined	
2	1	100G	1" & 1 1/4" COUPLING GASKET	
3	2	100P	PIN	
4	1	100DECAL	Mini Coupling Decal	
5	2	100K	1" CAM ARM W/ RING	



SECTION C-C
SCALE 1 : 1



BANJO CORPORATION
150 BANJO DRIVE, CRAWFORDSVILLE, IN 47933
WEB SITE: WWW.BANJOCORP.COM
E-MAIL: BANJOSALES@IDEXCORP.COM

THIS DRAWING AND ALL INFORMATION CONTAINED THEREON ARE THE EXCLUSIVE PROPERTY OF BANJO CORPORATION.

UNLESS SPECIFICALLY NOTED, THIS DRAWING AND ITEMS SHOWN ON THIS DRAWING ARE SUBJECT TO CHANGE AT ANY TIME.

DESCRIPTION
1" Female Coupler X 1" BSPT Female Thd

PART NUMBER
100DB