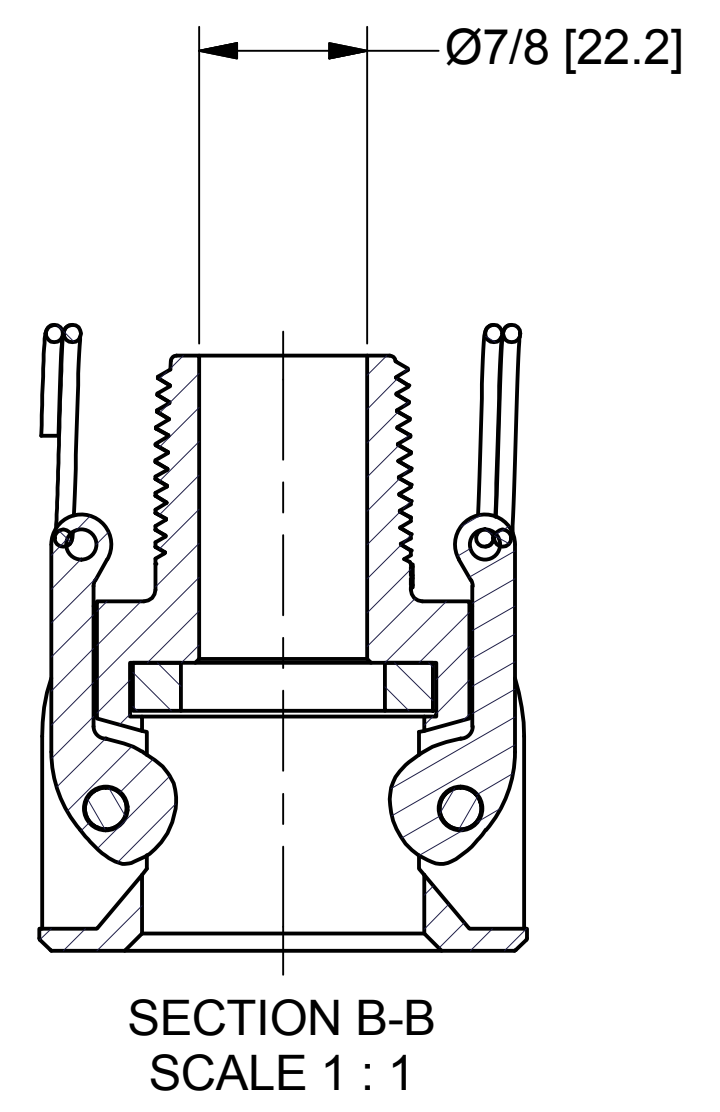
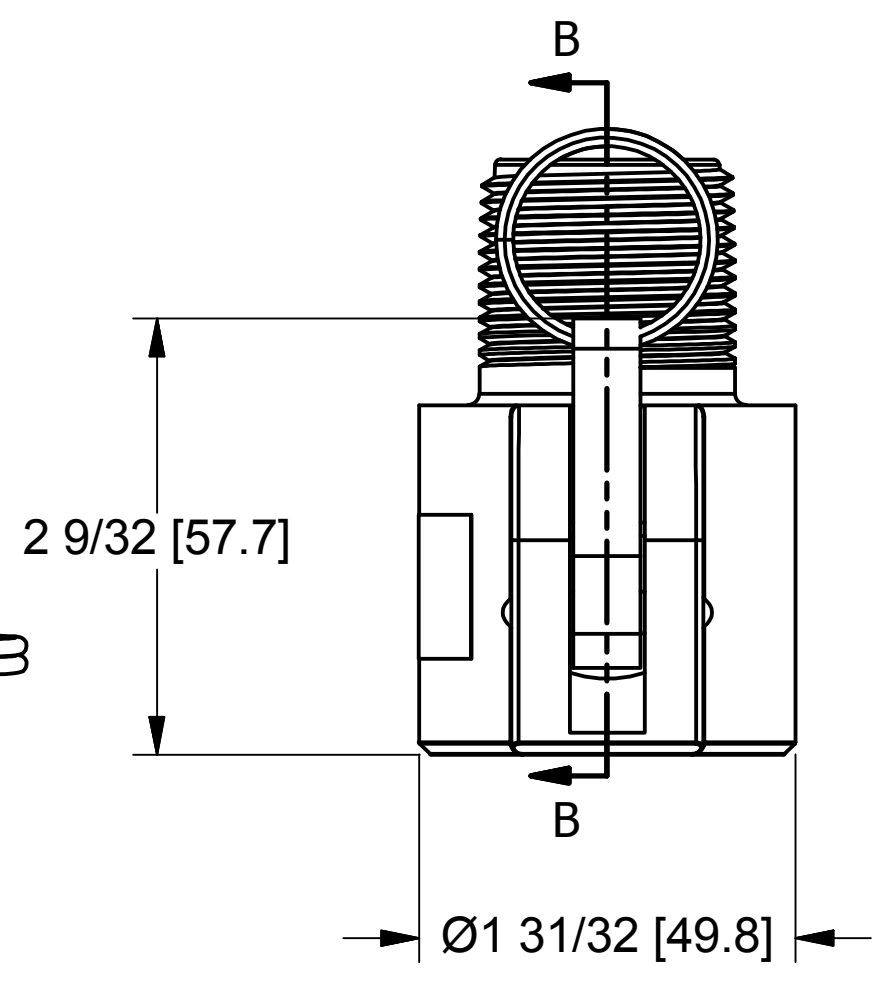
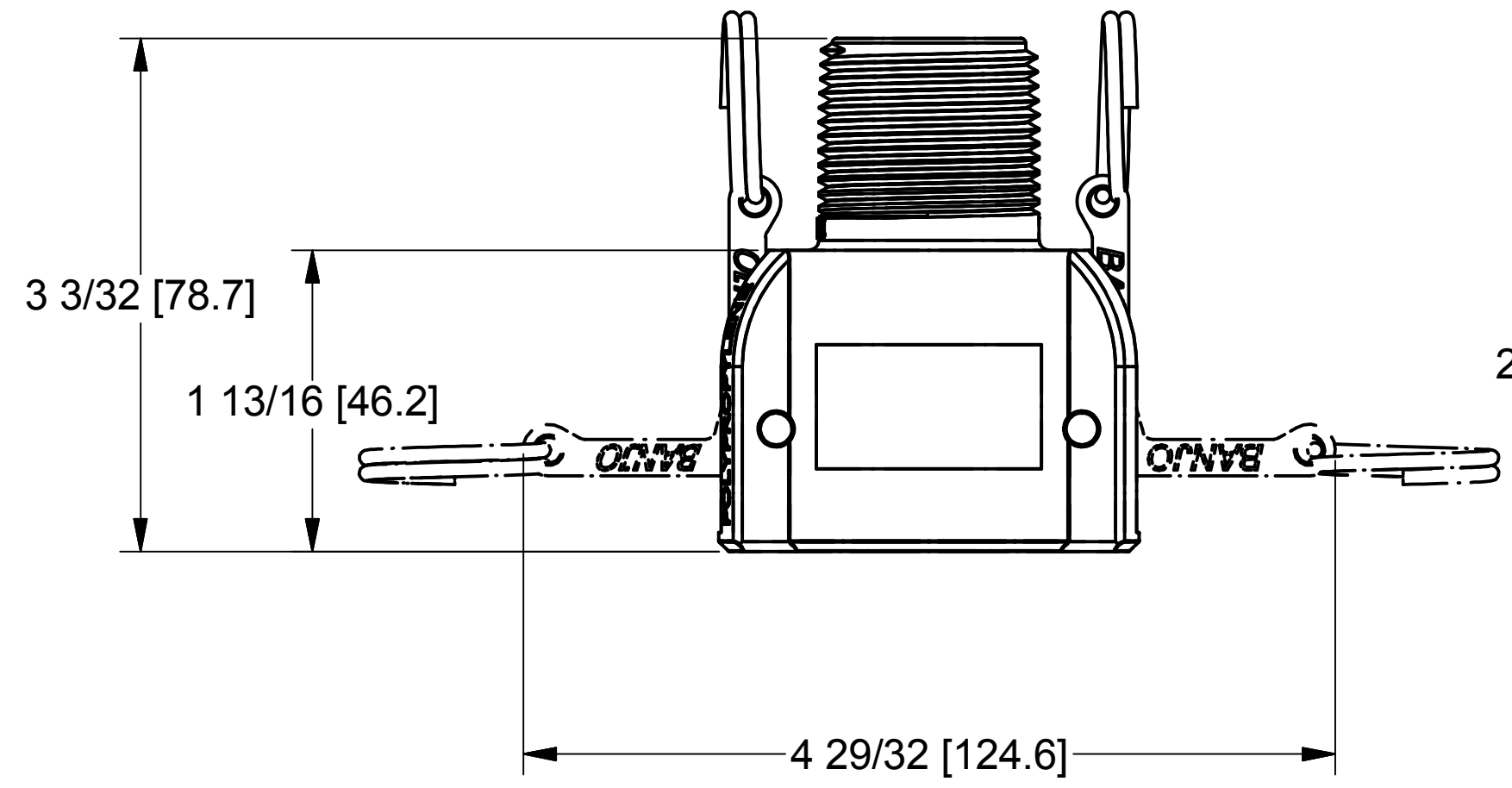
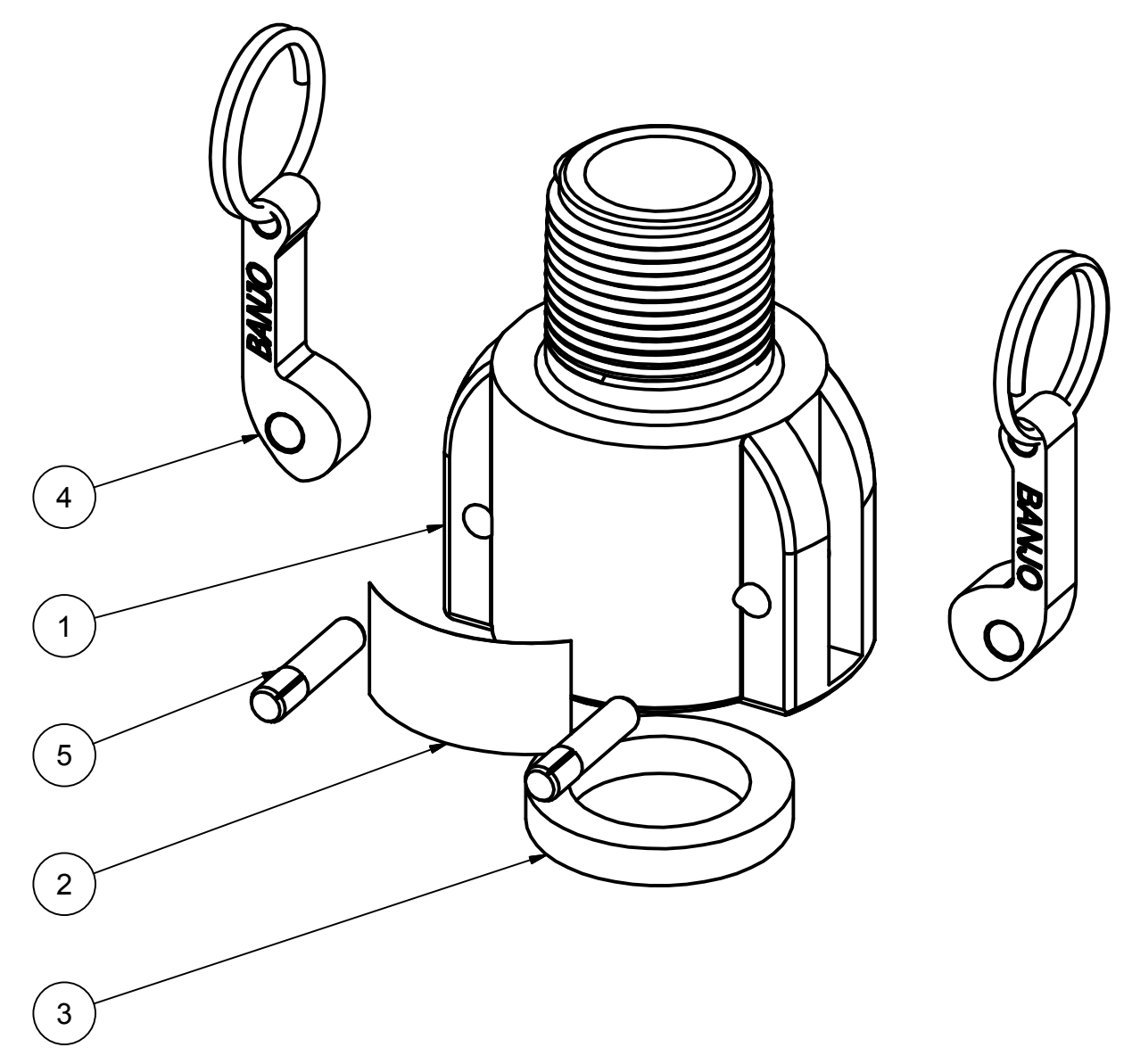


Parts List			
ITEM	QTY	PART NUMBER	DESCRIPTION
1	1	100BBXM	1" Female Coupler X 1" Male BSPT Thd, Machined
2	1	100DECAL	Mini Coupling Decal
3	1	100G	1" & 1 1/4" COUPLING GASKET
4	2	100K	1" CAM ARM W/ RING
5	2	100P	PIN



Note: Parts are to be bagged.

THIS DRAWING AND ALL INFORMATION CONTAINED THEREON ARE THE EXCLUSIVE PROPERTY OF BANJO CORPORATION.

UNLESS SPECIFICALLY NOTED, THIS DRAWING AND ITEMS SHOWN ON THIS DRAWING ARE SUBJECT TO CHANGE AT ANY TIME.

<b>BANJO CORPORATION</b>	
150 BANJO DRIVE, CRAWFORDSVILLE, IN 47933 WEB SITE: WWW.BANJOCORP.COM E-MAIL: SALES1@BANJOCORP.COM	
DESCRIPTION	<b>1" Female Coupler X 1" Male BSPT</b>
PART NUMBER	<b>100BB</b>